

Overview

The Albutt F125 Bale Spike is the most versatile spike we offer. Built on a heavy duty box section design, the back frame is height adjustable to suit your bale requirements. 7 tines are placed to bale requirement, 3 of which can be moved to suit bale height.

As standard, the F125 will handle;-

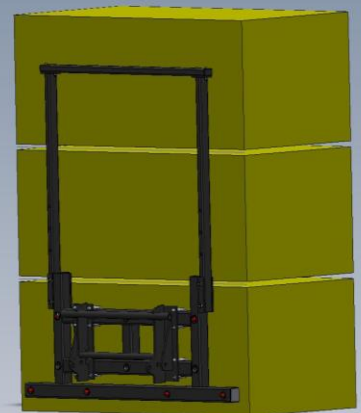
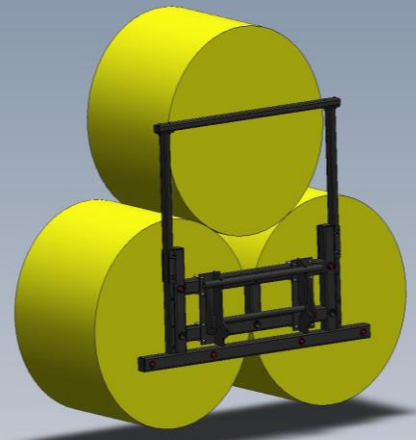
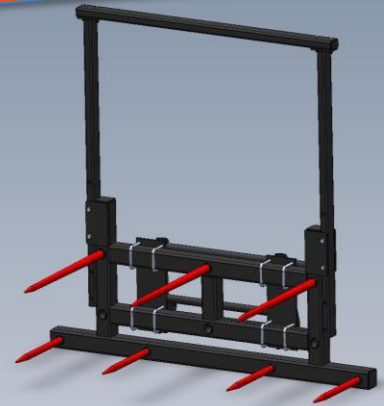
- 3 x round bales up to 6' wide
- 2 x hesston bales (120 x 120, 6 strings)
- 3 x mini hesston bales (80 x 80, 4 strings)
- 4 x quadrant bales (120 x 70, 6 strings)
- 6 x mini quadrant bales (120 x 45, 6 strings)

Features

- Height adjustable back frame
- Substantial heavy duty box section design
- 7 x KV forged steel tines
- 3 of the 7 tines can be moved to suit bale height
- Tines mounted in steel bushes
- Available with telehandler, shovel or loader quick hith brackets
- Handle round and square straw bales
- 2200mm wide
- Maximum height 2270mm
- Minimum height 1770mm

Models

Model	Width	Height	Weight
F125	2200mm	1770-2270mm	210kgs



Albutt Ltd | UK | GL20 7AR
Tel. 01242620252

Robin Normington. 07778942138 | robin@albutt.co.uk

Dan Cross. 07720087264 | dan@albutt.co.uk

www.albutt.co.uk

