

## OVERVIEW

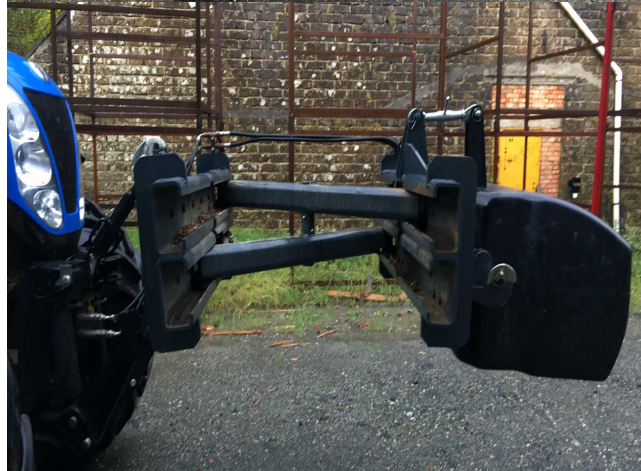
The Albutt **Extenda** Weight Extension multiplies the achievable weight from any ballast with 3 point linkage by extending its distance away from the machine. A cab operated hydraulic ram operates the scissor action, pushing the weight away and subsequently increasing machine traction against its counterweight. Ideal for tough ground conditions, **Extenda** will carry all makes of weights or weight boxes with 3 point linkage up to 2000kg. Fully extended, a 2000kg weight will have the effect of up to 4000kg.

## WORLD PATENT

- Unladen weight 500kg
- Ram operated scissor action
- Picks up 3 point linkage weights/weight boxes
- Offers upto 100% more weight when fully extended
- Suitable for tough ground conditions
- Supplied with hoses
- Stand legs
- Plated rams
- Normally in stock

## MODELS

Model	Width	Capacity	Weight
AEW500	1000mm	2000kg	500kg

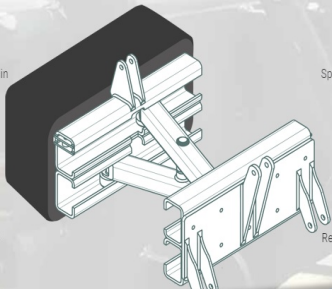


**STABILITY**  
 Significant increase in stability and decrease in wheel slip.

**SPEED**  
 Speed increase from 5 to 40% during the various operations (plowing, re-pitting etc.)

**ADHERENCE**  
 Possibility to lift heavier implements with the tractor without lifting it or losing grip.

**CONSUMPTION**  
 Reduction of consumption in various processes. (e.g. 8% plowing)



Albutt Ltd | UK | GL20 7AR  
 Tel. 01242620252

Robin Normington. 07778942138 | robin@albutt.co.uk

Dan Cross. 07720087264 | dan@albutt.co.uk

www.albutt.co.uk

